

100W Dual Piezo

Application

PCP monitoring with DataCan's Dual Piezo Pressure Tool delivers pressure, and temperature readings for both the pump discharge (tubing sensing) and intake (annulus sensing).

Benefits

The Dual Piezo Pressure Tool is easy to install and produces high quality reservoir data in real time. It's fully welded construction, dual protection metal to metal seal design, and hermetically sealed electronics make it a very reliable product. Since this tool can simultaneously measure both tubing and annulus pressure, it helps reduce the cost of the permanent system while increasing reliability.

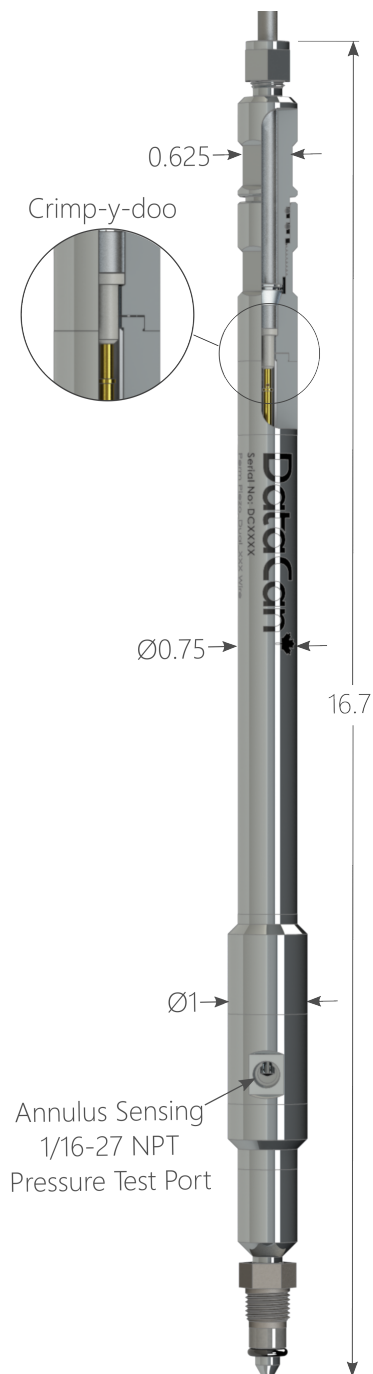
The Crimp-y-doo, at the heart of DataCan's new gauge design, ensures correct wire prep and prevents the TEC conductor from pulling up into the armor. If you find yourself assembling a gauge without a crimp-y-doo, you just better crimp-y-don't!

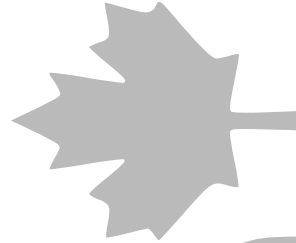
Features

- High Accuracy and Resolution – Reservoir Data
- Fully Welded Construction – No O-Rings
- Hermetically Sealed
- Dual Protection Metal to Metal Seal Design
- Corrosion Resistant NACE MR0175
- 1 Second Sampling

Dual Piezo Pressure Tool - Standard

Pressure	Temperature	Part No.					
		1/8" Wire		1/4" Wire		4mm Wire	
		SS	Inconel	SS	Inconel	SS	Inconel
1,500 psi	125°C	112616	112621	112606	112611	112626	112631
3,000 psi		112617	112622	112607	112612	112627	112632
6,000 psi		112618	112623	112608	112613	112628	112633
10,000 psi		112619	112624	112609	112614	112629	112634
15,000 psi		112620	112625	112610	112615	112630	112635





DataCan

Dual Piezo Pressure Tool - Pressure Testable

Pressure	Temperature	Part No.					
		1/8" Wire		1/4" Wire		4mm Wire	
		SS	Inconel	SS	Inconel	SS	Inconel
1,500 psi	125°C	112733	112738	112723	112728	112743	112748
3,000 psi		112734	112739	112724	112729	112744	112749
6,000 psi		112735	112740	112725	112730	112745	112750
10,000 psi		112736	112741	112726	112731	112746	112751
15,000 psi		112737	112742	112727	112732	112747	112752

Accessories

Accessory Type	Part No.		
	1/8" Wire	1/4" Wire	4mm Wire
Redress Kit Sweet	112758	112756	112760
Redress Kit Sour	112759	112757	112761

Specifications

	Pressure	Temperature
Accuracy Up To	0.05% F.S.	0.55°C
Resolution	0.0003% F.S.	0.005°C
Drift	< 3 psi / year	< 0.1°C / year

Manuals

[Permanent Downhole Gauge - User Manual](#)